

# DOOR SEALS & SHELTERS



YOUR COMPLETE DOCK EQUIPMENT  
MANUFACTURER



## 100 SERIES DOOR SEAL FOR 8'W x 8'H DOORS



COMPLETE DOOR SEAL CONSISTS OF HEADER AND SIDE PADS WITH GALVANIZED METAL BACKING AND 8" PROJECTION. STANDARD COLOR IS BLACK.

MODEL	MATERIAL	PROJECTION	DESCRIPTION
100V8x12	22OZ. VINYL	8"	8" x 12" PADS
100V811	22OZ. VINYL	8"	8" x 8" x 11" BEVELED PADS
100P8x12	PROSEAL	8"	8" x 12" PADS
100P811	PROSEAL	8"	8" x 8" x 11" BEVELED PADS
100H8x12	35OZ. HYPALON	8"	8" x 12" PADS
100H811	35 OZ. HYPALON	8"	8" x 8" x 11" BEVELED PADS
OPTIONS			
DS-OPT 01	ADDITIONAL PROJECTION		
DS-OPT 02	PROTECTIVE FLAPS		

## 200 SERIES DOOR SEAL FOR 8'W x 8'H DOORS TO 8'W x 10'H DOORS



COMPLETE DOOR SEAL CONSISTS OF SIDE PADS AND AN ADJUSTABLE HEAD CURTAIN. SIDE PADS HAVE GALVANIZED BACKING WITH 8" PROJECTION. HEADER CURTAIN IS ATTACHED TO A GALVANIZED FORMED HOOD WHICH PROTECTS SEALS FROM ICE OR SNOW DAMAGE. STANDARD COLOR IS BLACK.

MODEL	MATERIAL	PROJECTION	TYPE
200V8x12	22OZ. VINYL	8"	8" x 12" PADS
200V811	22OZ. VINYL	8"	8" x 8" x 11" BEVELED PAD
200P8x12	PROSEAL	8"	8" x 12" PADS
200P811	PROSEAL	8"	8" x 8" x 11" BEVELED PAD
200H8x12	35OZ. HYPALON	8"	8" x 12" PADS
200H811	35OZ. HYPALON	8"	8" x 8" x 11" BEVELED PAD
OPTIONS			
DS-OPT 01	ADDITIONAL PROJECTION		
DS-OPT 02	PROTECTIVE FLAPS		

**VINYL** - ECONOMICAL, BASIC DOOR SEAL MATERIAL.

**PROSEAL** - SYNTHETIC WOVEN FABRIC. IT HAS A GREATER TEAR STRENGTH THAN VINYL AND IT DOES NOT GET BRITTLE IN COLD WEATHER.

**HYPALON** - HEAVY DUTY RUBBERIZED MATERIAL. EXCELLENT FOR HIGH VOLUME DOCKS. IT IS THE SAME MATERIAL THAT IS USED TO BUILD WHITE-WATER RAFTS.

**CUSTOM MODELS AVAILABLE UPON REQUEST**

# 400 SERIES TRUCK SHELTER

FOR 8'W x 8'H DOORS TO 10'W x 10'H DOORS



THE SHELTER ACCOMMODATES A WIDE VARIETY OF TRUCKS. THE TRUCK BACKS INSIDE THE SHELTER TO PROTECT THE LOAD FROM THE ELEMENTS. FULL ACCESS OF TRUCK BODY IS OBTAINED. ALL WEAR POINTS ARE RE-ENFORCED WITH HYPALON TO RESIST WEAR AND TEAR. THE FRAME IS CONSTRUCTED OF GALVANIZED METAL FOR STRENGTH AND DURABILITY. PROTECTIVE STEEL GUARDS ARE INCLUDED WITH THE SHELTER. STANDARD PROJECTION IS 26". STANDARD COLOR IS BLACK.

MODEL	MATERIAL	PROJECTION	SIZE	STEEL GUARDS
400V	22OZ. VINYL	26"	11' X 11'	INCLUDED
400P	PROSEAL	26"	11' X 11'	INCLUDED
400H	35OZ. HYPALON	26"	11' X 11'	INCLUDED
OPTIONS				
DS-OPT 03	36" PROJECTION			
DS-OPT 04	(2) RUBBER BUMPERS FOR PROTECTIVE STEEL GUARDS			
DS-OPT 05	ADDITIONAL HEIGHT OR WIDTH			

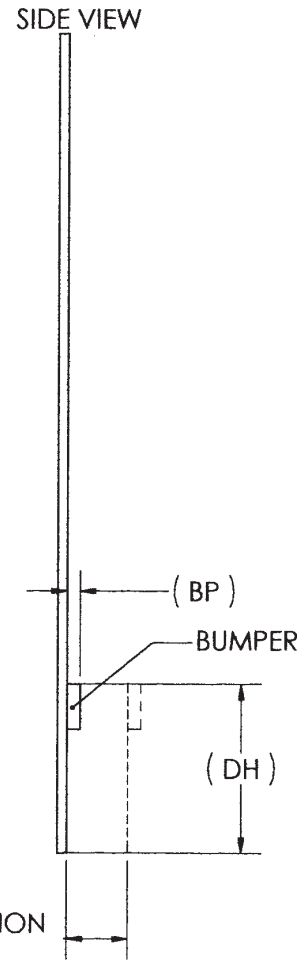
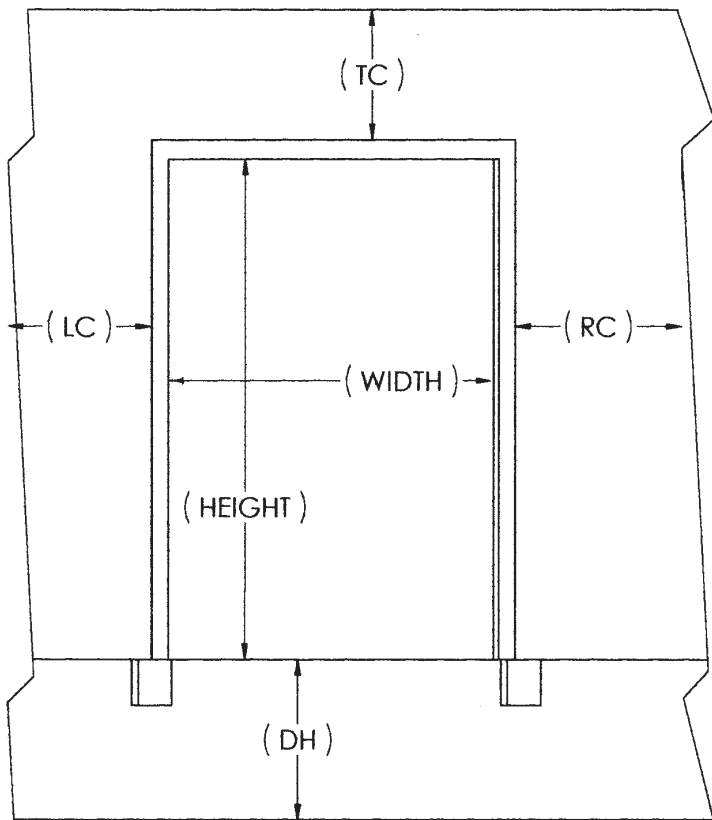
## CUSTOM MADE STRIP DOORS



STRIP DOORS OFFER ECONOMICAL SOLUTIONS FOR A NUMBER OF SITUATIONS. THEY PROVIDE ENERGY SAVINGS THROUGH THE CONTROL OF HEATED AND COOLED AIR. THEY IMPROVE WORKING CONDITIONS AND REDUCE MAINTENANCE BY BLOCKING OUT WIND, WEATHER, DIRT AND DEBRIS. STRIP DOORS ALSO REDUCE NOISE BY AN AVERAGE OF 15db.

CUSTOM MODELS AVAILABLE UPON REQUEST

# DOOR SEAL SPECIFICATIONS



HEIGHT OF DOOR (H): \_\_\_\_\_

WIDTH OF DOOR (W): \_\_\_\_\_

DOCK HEIGHT (DH): \_\_\_\_\_

DOCK PROJECTION FROM BUILDING  
(IF ANY): \_\_\_\_\_

BUMPER PROJECTION (BP): \_\_\_\_\_

CLEARANCE ABOVE DOOR (TC): \_\_\_\_\_

CLEARANCE - LEFT OF DOOR (LC): \_\_\_\_\_

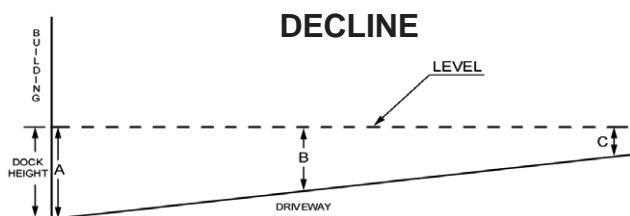
CLEARANCE - RIGHT OF DOOR (RC): \_\_\_\_\_

APPROX. NUMBER OF TRUCKS PER DAY: \_\_\_\_\_

APPROACH IS: LEVEL - INCLINED\* - DECLINED\*  
(CIRCLE ONE)

\*IF APPROACH IS INCLINED OR DECLINED, FILL OUT INFORMATION BELOW.

A(0FT)= \_\_\_\_\_ B(20FT)= \_\_\_\_\_ C(40FT)= \_\_\_\_\_



A(0FT)= \_\_\_\_\_ B(20FT)= \_\_\_\_\_ C(40FT)= \_\_\_\_\_

