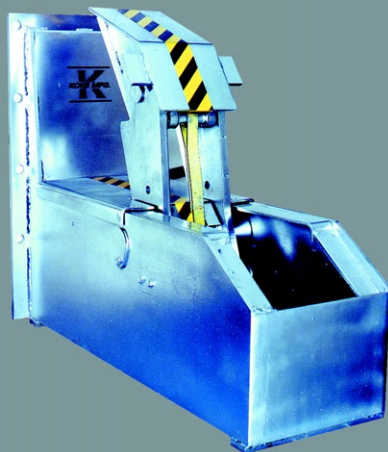


**YOUR COMPLETE DOCK EQUIPMENT
MANUFACTURER**



**CAUTION
ENTER
TRUCK ON
GREEN
ONLY**

**CAUTION
MOVE ON
GREEN
ONLY**

**NO MOVE ON
GREEN
ONLY**

MECHANICAL DOCK LEVELER

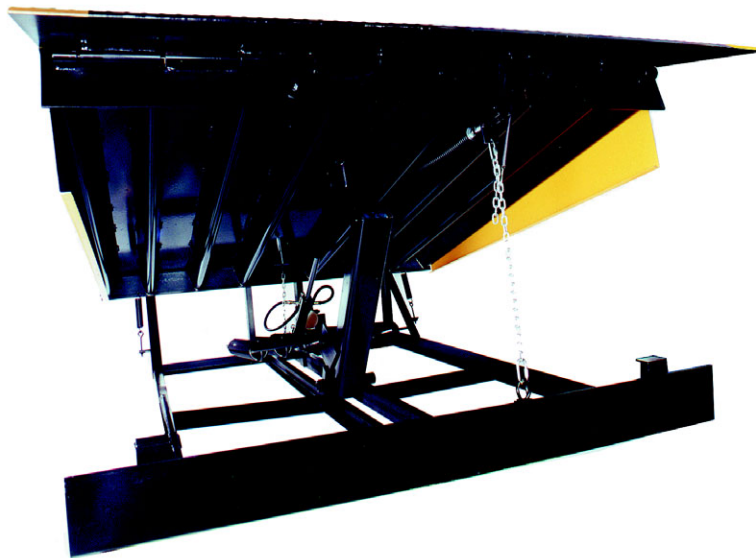
Our exclusive hydraulic hold-down makes operating this leveler a breeze. Simply pull and hold the lift chain for the top deck and lip raise in one fluid motion. The operator then walks forward on the deck until the lip rests on the trailer bed. Restoring the leveler back to its stored position is accomplished by pulling the lift chain again and walking the deck down until the lip rests in its night lock.

Mechanical Leveler Features:

- 16" Lip
- Articulating Top Deck
- Safety Treadplate Top Deck & Lip
- Full Night Lock
- Safety Toeguards
- Hydraulic Hold-Down
- Cross Traffic Lip Supports
- Easy Access to Main Spring Assembly for Adjustment

Available Options:

- 18" Lip
- Brush-Type Weather Seals
- Telescoping Toe Guards
- 35,000lb. Capacity
- Traction Grip Coating
- Insulated Top Deck
- Lip Hinge Lubrication
- Pour Pan



MODEL	WIDTH	LENGTH	PIT SIZE	CAPACITY (LBS.)	WEIGHT (LBS.)
KMD-6627	6'	6'	63"Lx74"Wx23"D	27,000	1,250
KMD-6827	6'	8'	87"Lx74"Wx23"D	27,000	1,400
KMD-7627	7'	6'	63"Lx86"Wx23"D	27,000	1,350
KMD-7827	7'	8'	87"Lx86"Wx23"D	27,000	1,500

HYDRAULIC DOCK LEVELER

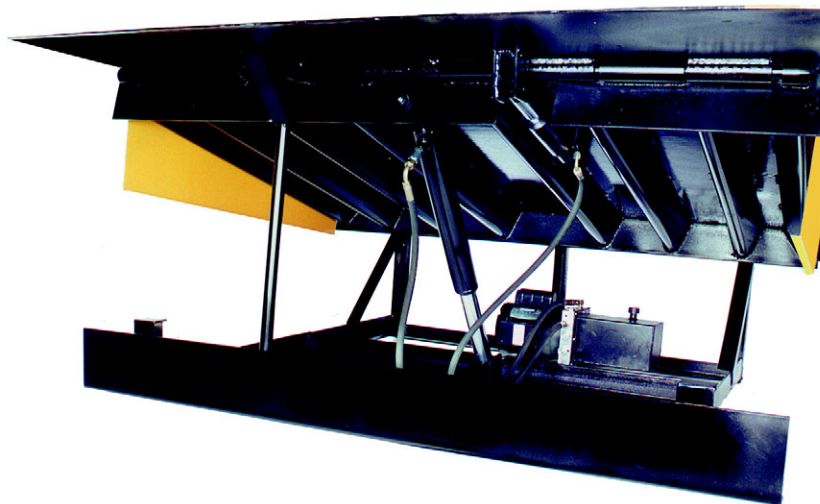
Easy push button operation. The dock attendant pushes and holds the button on the control box until the leveler raises and the lip fully extends. Upon releasing the button, the leveler will lower onto the rear of the truck. When finished loading or unloading, the attendant pushes and holds the button just long enough for the lip to fold back into its stored position. Upon releasing the push button, the leveler will lower into the night lock position.

Hydraulic Leveler Features:

- 16" Hydraulic Lip
- Articulating Top Deck
- Maintenance Stand
- Safety Treadplate Top Deck & Lip
- Full Night Lock
- Safety Toeguards
- Safety Velocity Fuse
- 1Hp Motor 110VAC/1Ph

Available Options:

- 18" or 20" Lip
- Brush-Type Weather Seals
- Telescoping Toe Guards
- Capacities up to 100,000 lbs.
- Traction Grip Coating
- Insulated Top Deck
- Lip Hinge Lubrication
- Pour Pan
- Motors up to 480VAC/3Ph
- Auto Return to Cross Traffic
- Overhead Door Interlock



MODEL	WIDTH	LENGTH	PIT SIZE	CAPACITY (LBS.)	WEIGHT (LBS.)
KHD-6627	6'	6'	63"Lx74"Wx23"D	27,000	1,300
KHD-6827	6'	8'	87"Lx74"Wx23"D	27,000	1,450
KHD-61027	6'	10'	111"Lx74"Wx23"D	27,000	1,550
KHD-7627	7'	6'	63"Lx86"Wx23"D	27,000	1,350
KHD-7827	7'	8'	87"Lx86"Wx23"D	27,000	1,500
KHD-71027	7'	10'	111"Lx86"Wx23"D	27,000	1,700

HYDRAULIC TRUCK RESTRAINT

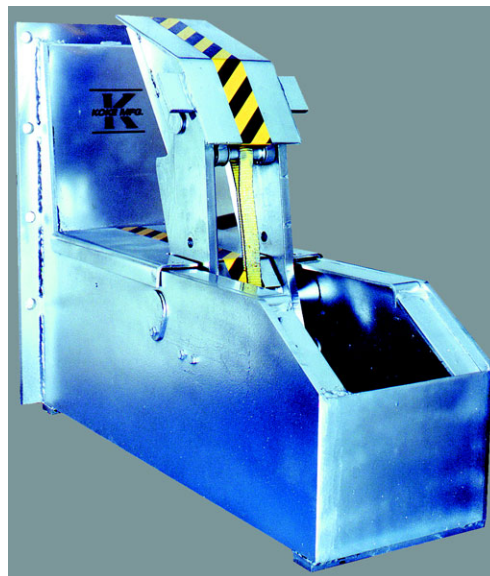
Our hydraulic truck restraint handles a wide variety of trailers with ICC bars. Push button operation raises the restraint arm until it contacts the ICC bar. The restraint arm locks into position thereby securing the trailer from unintentionally pulling away from the dock. This unit can be installed to work with all types of dock levelers as well as docks without a dock leveler.

Truck Restraint Features:

- 30,000 lb. Restraining Force
- 12" to 30" Service Range
- NEMA-12 Control Panel
- Interior and Exterior Safety Signs
- High Intensity Safety Lights
- Interconnectable to All Types of Dock Levelers
- Low Maintenance
- Galvanized Finish



Interior



Exterior

Koke Inc has been committed to designing, manufacturing and installing dock equipment since our beginning in 1972. Our continuing devotion to product development enables us to be a leader in the industry. Whether your needs are standard or unique, Koke Inc can provide you with the right products that will give you years of quality, reliability and performance.

WARRANTY POLICY

Koke Inc warrants its products to be free from defects in materials and workmanship for the period of one year. Warranty details differ from product to product. For complete warranty information contact Koke Inc.

Other Koke Dock Equipment

Aluminum Dockplates
Aluminum Dockboards
Steel Dockboards
Steel Rail Dockboards

Edge of Docks
Dock Bumpers
Lift Tables
Door Seals & Shelters

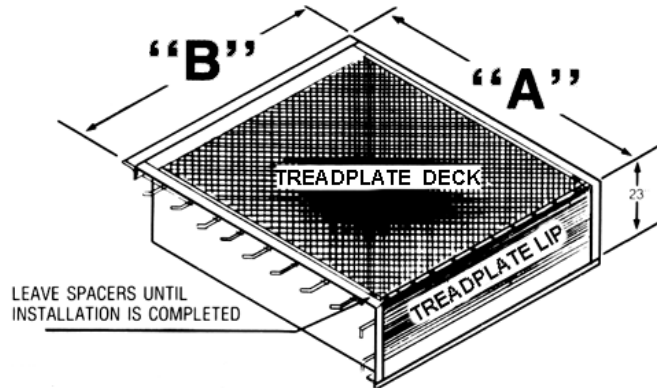
Bollards
Overhead Door Track Protectors
Yardramps
Wheel Risers



WE ARE AVAILABLE FOR INSTALLATIONS

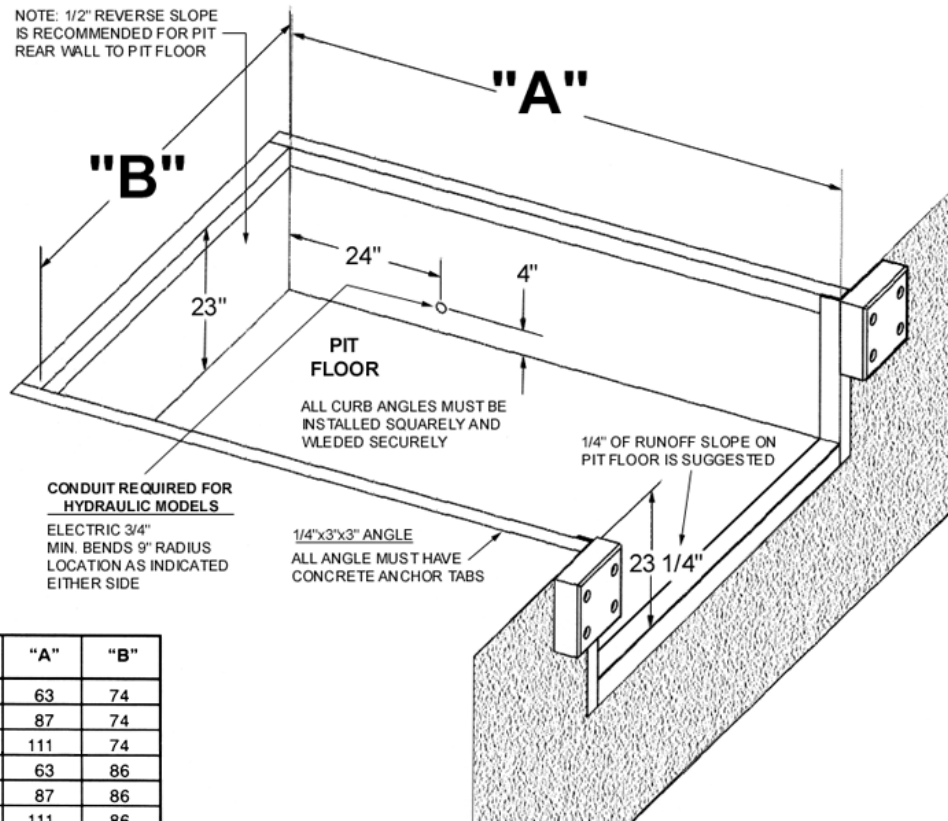
POUR PAN DETAILS

MODEL	"A" DIM.	"B" DIM.
K-66	66"	80"
K-68	90"	80"
K-610	114"	80"
K-76	66"	92"
K-78	90"	92"
K-710	114"	92"



PIT CONSTRUCTION REQUIREMENTS

NOTE: 1/2" REVERSE SLOPE IS RECOMMENDED FOR PIT REAR WALL TO PIT FLOOR



MODEL	"A"	"B"
K-66	63	74
K-68	87	74
K-610	111	74
K-76	63	86
K-78	87	86
K-710	111	86